

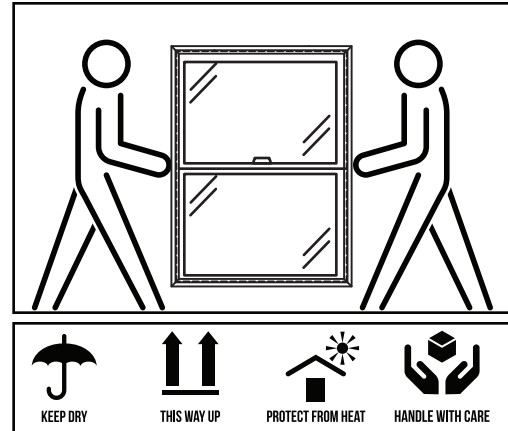


## Window Installation Guide



## HANDLING

1. Make sure operable windows are closed and locked prior to installation
2. Protect adhesive surfaces from dirt, and moisture.
3. Handle in vertical position and do not carry flat or drag along the floor
4. Do not put stress on joints, corners or frames
5. Store windows in dry, well-ventilated areas, leaning vertically. Do not stack horizontally
6. Protect from exposure to direct sunlight during storage
7. Install only when conditions and sheathing are dry



## BEFORE THE INSTALLATION

8. Remove shipping material such as plastic wraps, hard board corner covers, shipping blocks or pads.
9. Inspect windows for any cosmetic damage.
10. Check the product measurements and specs (colour, grid pattern, handing, glazing, brick mould, screens, etc.)

***If any of the above conditions represent a concern, do not install the window.  
Contact your local sales rep or distributor.***

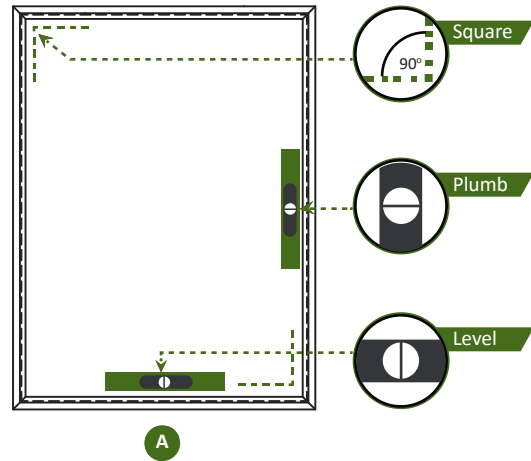
SILEX Fiberglass Windows & Doors will perform to your 100% satisfaction if they are installed with care, following these specific instructions:

Please. **DO NOT FORCE** a SILEX Fiberglass Window or Door into an opening. The most desirable installation would be in an opening 1/2" to 1" larger than the overall unit size.

A. Prepare the opening so that it is square, plumb, level and free of any dirt and debris.

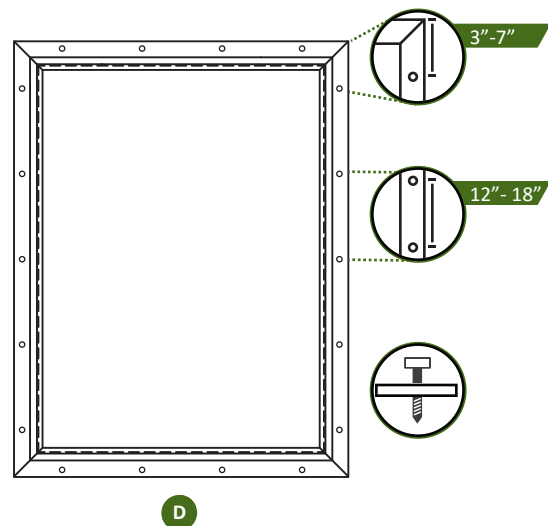
B. Place window sill onto the shims and tilt into the rough opening. The window sill **MUST** rest on and be fully supported by the shims.

C. Shim the sill at the quarter points from each corner and then at 18" intervals with non-water degradable or compressible shims. Secure shims with sealant. Do NOT place the shims underneath the miter-joints or assembly screws.



## D. Nail Fin Windows:

Fasten through nailing fin holes 3"-7" (8 – 18cm) from the corners and 12"-18" (30-45cm) apart all the way around the window. Always use a nail at a mull joint and use galvanized roofing nails or specified fasteners to secure.

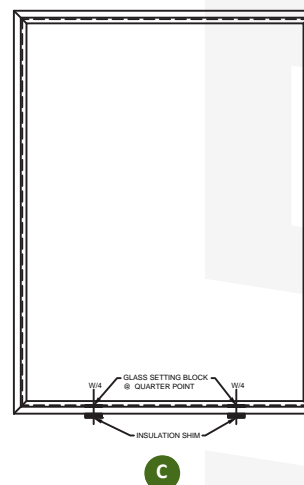


## Finless Windows:

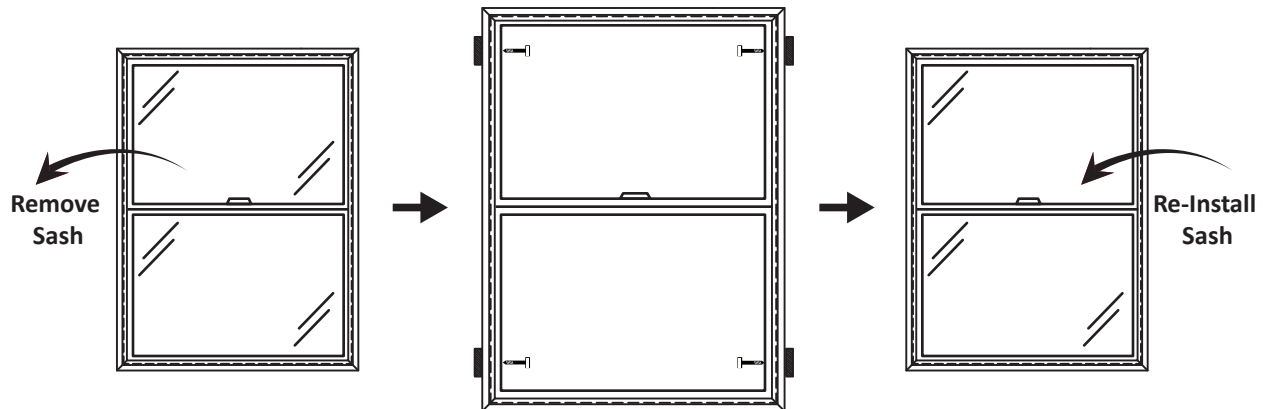
1. Fasten window through the remaining corners in a similar manner as the first lower corner, and then through the rest of the fastener locations (Pre-drill the fiberglass frame before applying the installation screws)

2. Seal the installation screws, insert plugs into fastener holes not located in any uncovered tracks.

E. Installation Clips-Fasten the installation clips on the top and sides of window frame back wall. Place installation clips 3"-7" (8 – 18cm) from the corners and 16"-18" (40-45cm) apart all the way around the window. Embed the Z-clips in sealant when installed.



F. In a double hung unit, remove the sash. Shim the center of the window to the same dimension as the width at the head and sill. Secure these meeting rail shims with installation screws. Re- install the sash.



G. Matching diagonal measurements will insure a square installation. Adjustments can be made by backing out the installation screws and adjusting the shims as necessary. NOTE: Inspect window for square, level, and plumb. Test for proper operation (remove and reinstall) if necessary.

H. Loosely fill the opening cavity with appropriate insulation material. Caulk exterior perimeter of frame with a high-quality exterior caulk to insure a water tight installation.

## ADDITIONAL NOTES:

**Label Removal:** - Just peel. No special preparation is required.

**Cleaning Glass:** - Never clean window glass with a razor blade or sharp object SILEX Fiberglass will not be held responsible for scratches in the glass surfaces.

**Repainting:** - SILEX Fiberglass frame and sash members can be painted if you desire. Consult your painting contractor, paint distributor or SILEX Fiberglass for specific instructions.

**CAUTION:** Screens are for protection against insects only. They are not designed as barriers to humans or pets.

**CAUTION:** Glass unless specifically ordered, are not provided with safety glass. If broken, the glass could fragment, causing injury. Many laws and building codes require safety glass in locations that are adjacent to or near doors. SILEX Fiberglass is available with safety glass. Consult our office or your local SILEX Fiberglass distributor for additional information.

NOTE: Improper installation of fenestration products might reduce their effectiveness, including excessive condensation; unacceptably high levels of air, water, and sound leakage; and deterioration of the wall and roof systems into which they are installed.

## IMPORTANT!!

### Finishing Instructions for units with Optional Oak Interior

1. *Interior wood finish, paint or stain and top coat must be applied immediately following installation.*
2. *When applying any finish to SILEX Fiberglass windows or doors, it is extremely important that you do not coat weather-stripping, hardware, handles, rollers etc., or any other non-wood part & Paints. Stains or varnishes contain solvent which could cause plastics and vinyl to dry out and become brittle.*
3. *The exterior surfaces of SILEX fiberglass products come with a factory applied finish which is virtually maintenance free. However, the natural oak: interior surface must be painted or stained and top coated by carefully following these instructions. Before finishing, wood surfaces must be clean and dry. Remove handling marks, debris or effects of moisture by LIGHTLY sanding with 220 grit sand paper and clean before applying finish.*
4. *If staining wood interior: Apply stain according to manufacturer's instructions. Apply as many coats of stain as necessary to achieve the desire color. After the stain is dry, apply at least two coats of varnish or other top coat compatible with the stain.*
5. *If painting wood interior: Use only high quality oil or latex based paint. To provide good adhesion a prime coat should be applied. Apply one coat of primer" and two coats of paint according to manufacturer's instructions.*
6. *If painting non-wood interior or exterior: Glossy surfaces must be clean and dull before repainting. 'Thorough washing with an abrasive kitchen cleanser will clean and dull in one operation. Or, wash thoroughly and dull by sanding. Remove sanding dust. Spot prime all bare areas with appropriate primer.*
7. *The interior wood must be protected against moisture or excessive dryness during construction.*
8. *A lack of attention to these finishing instructions will void the SILEX Fiberglass "Limited Lifetime Warranty".*
9. *For Patio Doors Only: The finish the fixed panel glazing bead at the meeting rail. The active panel must be removed. Using a thin slotted screwdriver or putty knife, carefully remove the interlock cover on the edge of the active panel to remove the active panel. Open the door, and then lift upward while pulling the bottom to the interior. Finish the glazing bead and replace the active panel and interlock cover when dry.*

## AFTER INSTALLATION

- Adjust window for best operation.
- Protect recently installed units from plaster, paint, etc. by covering the unit with plastic.
- Do not leave stucco tape on the window frame, panning or brickmould for more than 24 hours.
- Install exterior wall surface within 30 days of window installation.

Please visit [www.silexfiberglass.com](http://www.silexfiberglass.com) for more product information

Thank You For Choosing



info@silexfiberglass.com



Phone: (204) 788 – 0648

