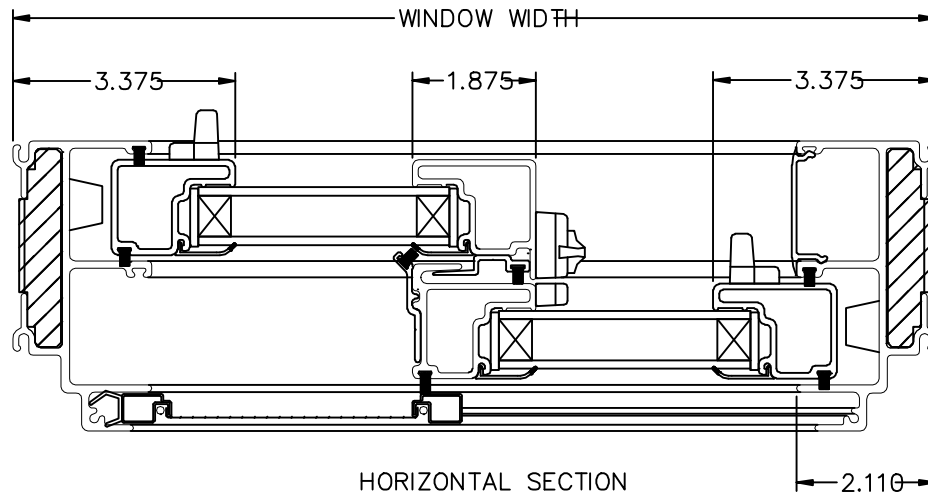



VERTICAL SECTION



HORIZONTAL SECTION

8020 2 LITE SLIDER

NO	DATE	BY	REVISIONS	NO	DATE	BY	REVISIONS	PRINT APPROVAL	MATERIAL:	 <b>SILEX FIBERGLASS</b> 16-1846 Sargent Ave Winnipeg, MB R3H 0G4 Tel: 204 788 0648 Fax: 204 788 0649
1	1/4/06	JLS	UPDATED HORIZ. SECTION/DIMS	7				ENGINEERING MANAGER	N/A	
2	3/8/06	JLS	REVISED TRACKS/WEEP SYSTEM	8					TYPICAL WALL = (EXCEPT AS NOTED) BREAK SHARP CORNERS = (EXCEPT AS NOTED)	8020-500
3				9					WT./FT = N/A	
4				10					PERIMETER = N/A	
5				11					TOLERANCES (EXCEPT AS NOTED)	
6				12					DECIMAL ± .010 FRACTIONAL ± 1/32" ANGULAR ± 2°	SCALE: .500 DATE: 1-9-2012 DRAWN BY: JERRY